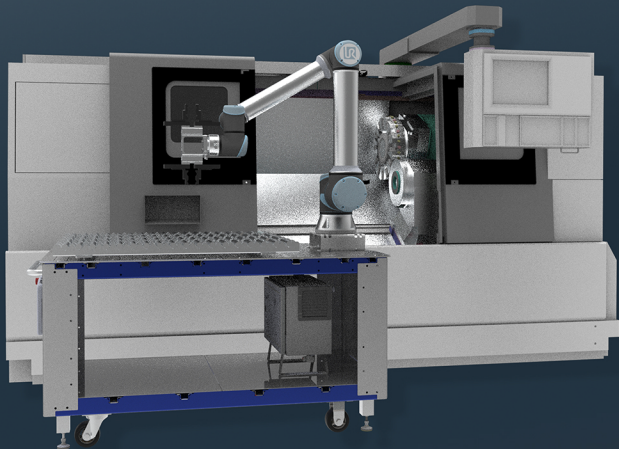


VERSABUILT

Lathe Automation System



Pre-Programmed Pre-Integrated

Plug and play for CNC
manufacturing

Control robot and add new parts
to the system using a tablet or
laptop



Install in 2 days

Systems are in-stock and ready to
be installed - 2 week lead time
from order

Install systems on your own or have a
skilled technician come out
System is ready to make parts in 2 days



Lower Costs

All-in price 20-45% less than
competitors

Optimize operators' and spindle
utilization

Low cost part integration



Expert Support

Unmatched system support via
phone and email

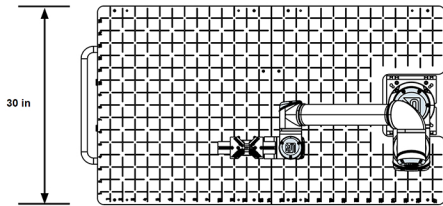
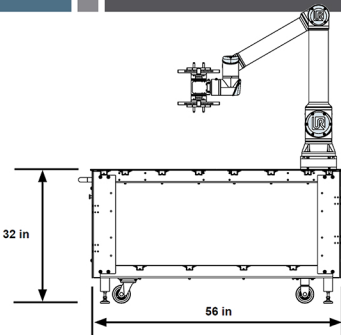
Remote connectivity allows
VersaBuilt team to find the
problem, and fix quickly to get
you back up and running



Elevate Labor

Elevate the culture of your
company by letting the robot do
dull, dirty, and dangerous jobs so
operators can be engaged in
higher value work

Lathe Automation System Data Sheet



Hardware Included

**UR10e or UR20 can be sold separately or system can use an existing UR10e OR UR20*

VersaCart	Z-Push Tool
DuoGrip Gripper	Pneumatic Tubing
VersaBuilt System Controller	Pneumatic Valves
Electrical Signal Cables	Electrical Signal Cables

User Interface

Web based application, connected via Wi-Fi or network Phone, Tablet, Laptop or Computer *customer provided

Part Sizes

Puck - 0.50 to 8.00 inch Max Diameter; Shaft - 0.25 to 3.00 inch Max Diameter

Part Weight

10 lbs Max (Dual part loading); 20 lbs. Max (Single part loading)

Infeed Capacity Examples

Part size (W x L)	Part capacity
1.00 x 1.00 inches	176 parts
1.50 x 4.00 inches	56 parts
4.00 x 4.00 inches	35 parts
6.00 x 6.00 inches	20 parts
8.00 x 8.00 inches	12 parts

Portability

VersaCart on Casters with adjustable footpads to set position *optional floor anchors available

Processes Included

Single Spindle, 1 and 2 Operation; Dual Spindle, 1 and 2 Operation; Part unload only (Single or Dual Spindle)

Air Requirements

90-120 psi, 15-20 scfm *air should be conditioned to meet ISO 8573-1:2010 [7:4:4] standard

Electrical Requirements

120VAC 1 Phase, 50/60Hz, Full Load 30A (Robot, Controls)

Optional Accessories

VersaDoor	Shaft Infeed
Dual CNC Setup	Shaft Picking Fingers

LEARN MORE

To learn more about the CNC Lathe Automation System go to www.VersaBuilt.com. There you will find videos showing the CNC Lathe Automation System in action, manuals, and details on pricing and options.

